

## Motorized Ball Valve



### Description

Winner motorized ball valve consists of on/off type or 3-point type actuator and W8BV... series ball valve, which have compact structure, stable operation, excellent capacity of water stoppage, large water flow rate, zero dirt block and low torque. Winner motorized ball valves are widely used in HVAC system, heating system, water treatment system and some industrial equipments.

### Application

HVAC system, heating system, Water treatment system, Industrial equipments

### Operational mode

Winner motorized ball valve is motor-operated by a type of WRA-63..., and WRA-63...A actuator. The actuator is controlled by a modulating on/off or 3-point control system and move the ball of the valve, to the opening position dictated by the control signal.

### Technical data

#### Valve body:

Medium: cold/hot water, with 50% glycol

Temperature of medium: 2°C...90°C

Rated pressure: PN20

Pipe connector: internal thread

Ambient temp. range: -5...+60°C; 0...90%RH

Size: 1/2", 3/4" and 1" Valve type: 2-way and 3-way

#### Material

Valve body: forged brass, Hpb59-1

Seal: ball: EPDM+PTFE

Ball: chrome-plated brass

stem: EPDM O-rings

Model No.	Inch	Kvs(m <sup>3</sup> /h)	ΔPvmax(KPa)	△ Ps(KPa)
W8BV215	1/2"	8.6	1000	1400
W8BV220	3/4"	21	1000	1400
W8BV225	1"	26	1000	1400
W8BV315	1/2"	8.6	1000	1400
W8BV320	3/4"	21	1000	1400
W8BV325	1"	22	1000	1400

### Actuator

**WRA-63...** AC230/110/24V, 50/60Hz, 3-point

**WRA-63...A** AC230/110/24V, 50/60Hz, on/off

Output torque: >3.5N.m Angle of rotation: 90°

Protect rank: IP55/IP54 On/off time: 16S

### Function (3-point or on/off type)

The actuator is controlled by a modulating on/off or 3-point control signal, using reversible synchronous motor and gear speed reducer drive to fix and lock.

**WRA-63...** 3-point type

Brown wire is power on Valve open

Blue wire is power on Valve close

Brown or blue wire is power off Valve keep the current position

Black wire is connected to the null wire. Also can be used as on/off type.

**WRA-63...A** on/off type

Black wire is the control wire. Power on: valve open, power off: valve close

Blue wire is connected to the com.

Brown wire is connected to the power wire.

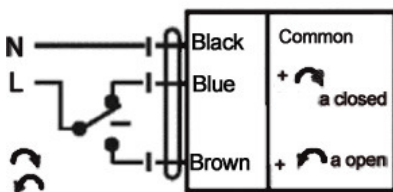
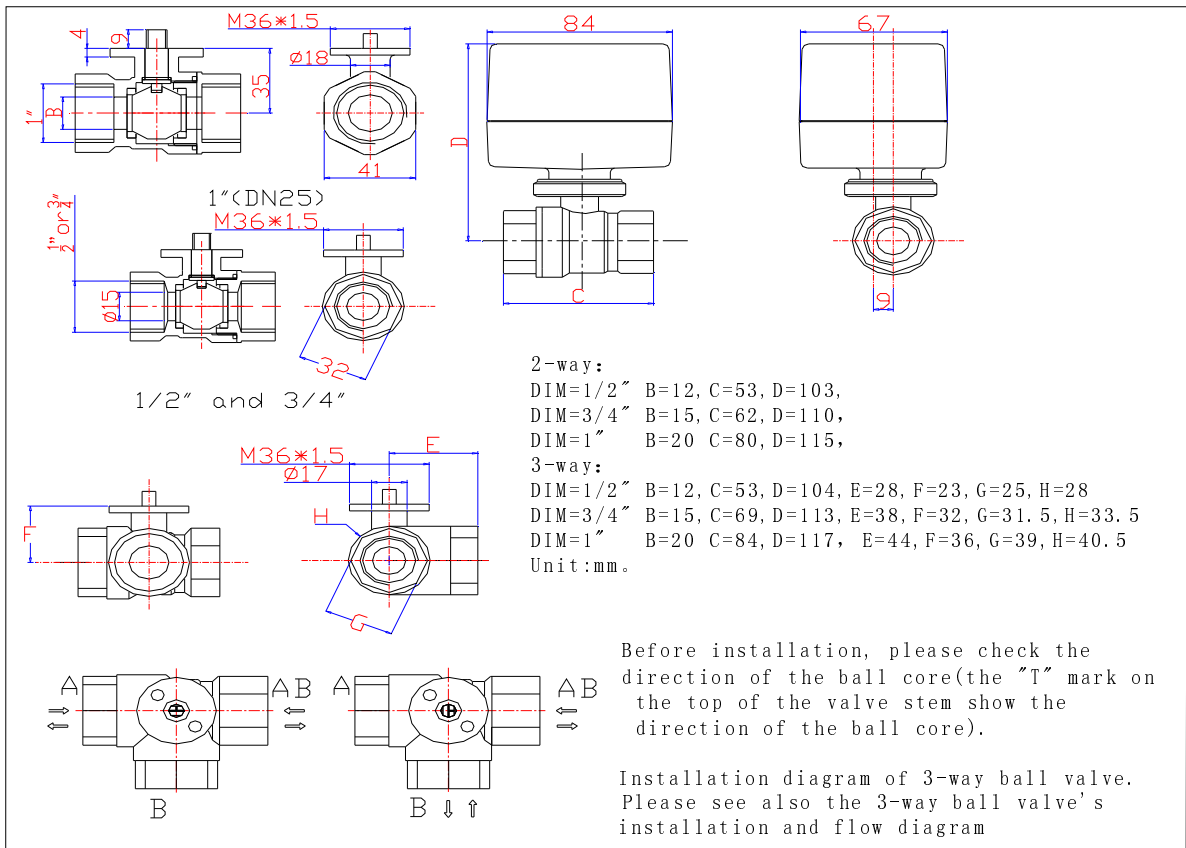
Only can be used as on/off type.

Model No.	Working Voltage	Actuator type	Output torque	Consumption	On/off time	Valve body
WRA-6320	230VAC±15%	3-piont or on/off	3.5N.m	5W	50Hz:16S 60Hz:12S	W8BV215
WRA-6320A	50/60Hz	On/off				W8BV220
WRA-6310	110VAC±15%	3-piont or on/off				W8BV225
WRA-6310A	50/60Hz	On/off				W8BV315
WRA-6302	24VAC±15%	3-piont or on/off				W8BV320
WRA-6302A	50/60Hz	On/off				W8BV325

### Installation:

Insert the valve stem to the bottom of the actuator, and insert 2 pin, located in the bottom of the actuator to the valve's mounting hole. Then screw down the brass cap nut

### Dimension and Wiring



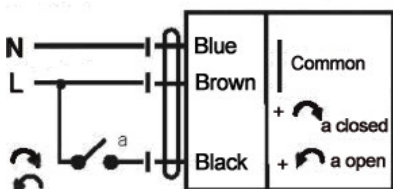
Valve (ON): BROWN wire

Valve (OFF): BLUE wire

Com(N): BLACK wire

**blue wire and brown wire are prohibited to get electricity at the same time!!!**

**WRA-6320, WRA-6310, WRA-6302**



Control wire: BLACK wire

Power wire(L): BROWN wire

Common port(N): BLUE wire

**WRA-6320A, WRA-6310A, WRA-6302A**